

INSTALLATION & OPERATION FOR MARINER, MARINER II, AND WORKHORSE II SLIDES

To install your slide:

- 1.** Secure your slide to the seat bottom using the hardware furnished or recommended by the seat manufacturer. The slide should be oriented so that the Swivel Lock Handle (FIG1, 2) is towards the back of the seat).
- 2.** Loosen the Swivel Tension Handle (FIG1, 1) so that the swivel will start to slide onto the top of the pedestal. Pull out on the Swivel Lock Handle (FIG1, 2) and drop the slide down until it fully seats on the pedestal. Rotate the seat until the Swivel Lock Handle snaps into the desired locking slot on the pedestal. For Workhorse II slides make sure that the composite washer in the bottom of the swivel cup remains in place during installation.
- 3.** Tighten the Swivel Tension Handle to finish installation. For Mariner and Mariner II slides these two handles will only be used for installation. Workhorse slides will require these handles for operation.

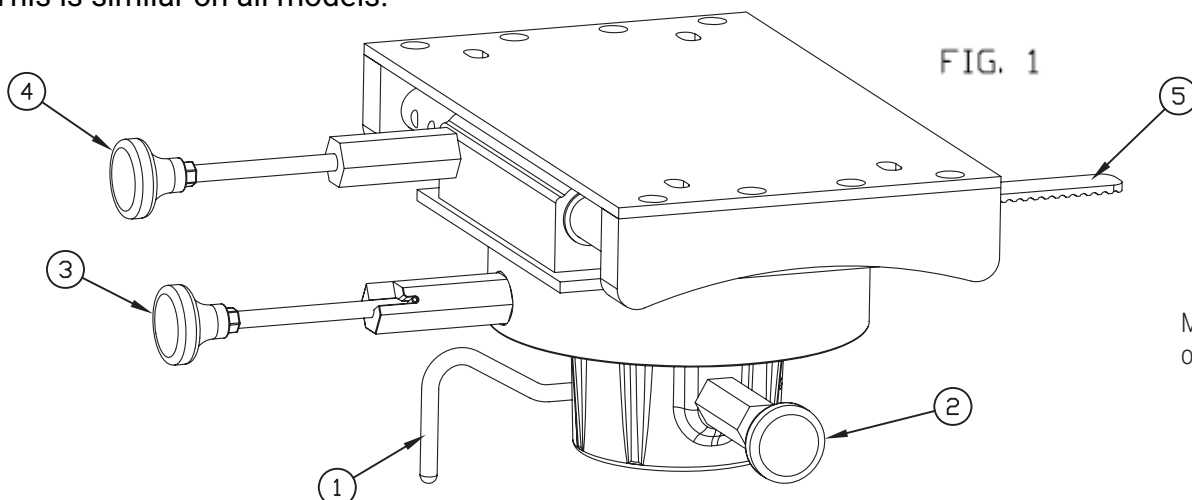
To operate your slide:

- 1.** To rotate your Mariner or Mariner II slide pull out on the Swivel Handle (FIG1, 3). Rotate the seat to any one of the 8 locking positions and release the handle. Pulling out on the handle and rotating it 90° counter clockwise and releasing it will allow the seat to freely rotate without locking. To lock the seat in place again rotate the handle 90° clockwise and release.

To rotate your Workhorse II slide loosen the Swivel Tension Handle (Item #1) half to one full turn. Pull out on the Swivel Lock Handle (FIG1, 2) and rotate the seat to either of the locking positions and release the handle. The handle can also be pulled out and rotated to freely rotate without locking. It operates in the same manner as the Swivel Handle does on the Mariner or Mariner II slides.

- 2.** To slide your seat forward or back pull out on the Slide Lock Handle (FIG1, 4). Slide the seat to the desired location and release the handle. This is similar on all models.

- 3.** If your seat is mounted on one of our Adjustable Mainstay Pedestals the Air-Ride Adjustment Handle (FIG1, 5) is used to adjust the seat height. See the appropriate Mainstay operation sheet for further details. This is similar on all models.



Mariner Slide shown,
others are similar