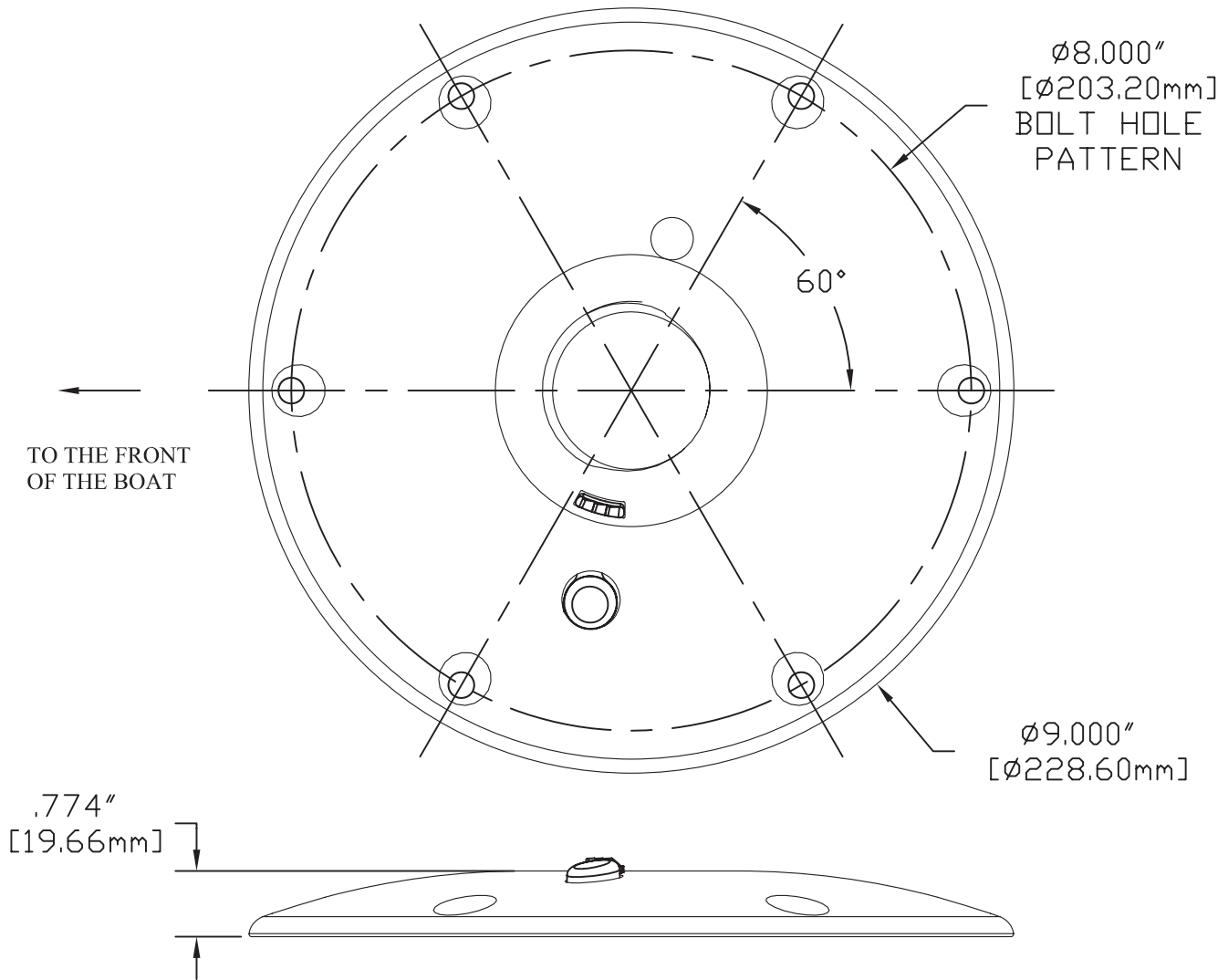


# INSTALLATION INSTRUCTIONS FOR 9" THREAD-LOCK™ SEAT BASES



**WARNING!** This base must be mounted with the indicated mounting hole towards the front of the boat. Failure to mount as instructed may result in injury or death.

This base is designed to work with a minimum #12 82° countersink scREW. Due to variances in bolt hole design, mounting hardware is not included.

Springfield Marine Company is not responsible for improper hole reinforcement.