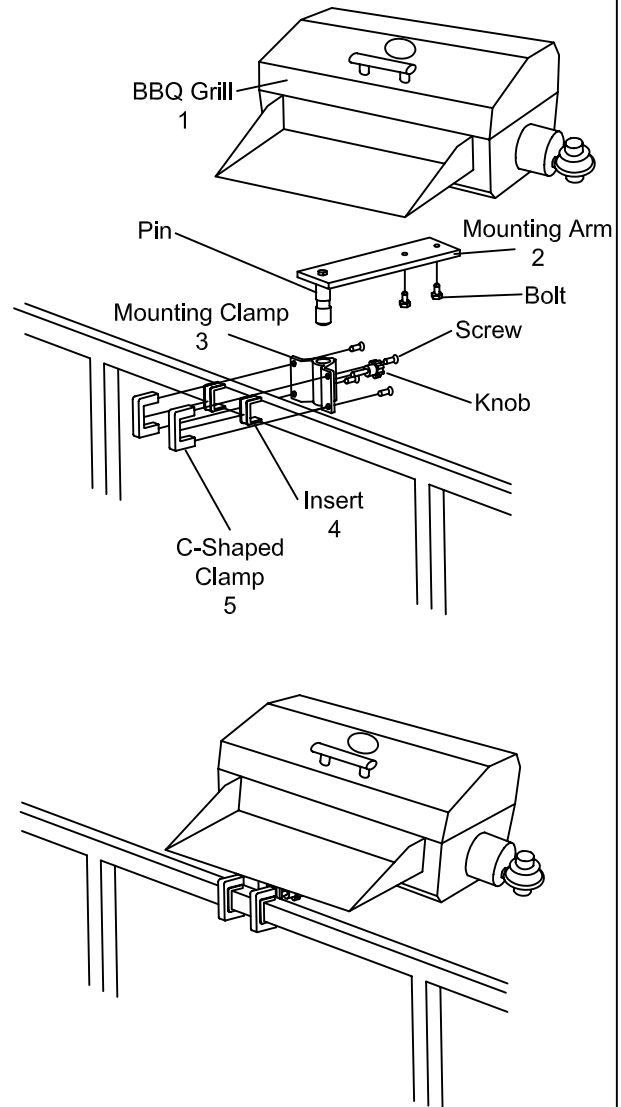


DIRECTIONS FOR INSTALLING MULTI FIT RAILMOUNT ON 1940056-SS GRILL

1. Take the Mounting Clamp (Item# 3) and remove the screws that hold the C-shape clamps.
2. Choose the plastic insert (Item# 4) that best fits your rail. Install the Insert into the C-Shaped Clamp (Item# 5).
3. Then take the Mounting Clamp, one C-shaped clamp with the correct insert installed, and one of the screws you have just removed from the assembly and assemble it around the rail. Next insert the second screw, then repeat these steps with the other C-shaped clamp. Slide the Mounting Clamp to the location on your boat's railing that you prefer and tighten the screws.
4. Secure the Mounting Arm (Item# 2) to the bottom of the Grill using the 2 bolts provided. Note: Mounting Arm may have other hole patterns that are not used.
5. Place the Mounting Arm Pin in the Mounting Clamp and hand tighten the Knob on the Mounting Clamp.
6. If you have questions regarding the BBQ grill itself, please refer to the Assembly and Operating Instructions included with the Grill.



WARNING!

DO NOT operate your grill while the boat is in motion.

Allow grill to cool before handling or removing from post or rail mount.



MFG# 8122061 10-02-08