

# DIRECTIONS FOR INSTALLING MULTI-FIT RAIL MOUNT BARBEQUE SWIVEL

1. Take the Mounting Clamp (Item# 3) and remove the screws that hold the C-shape clamps.

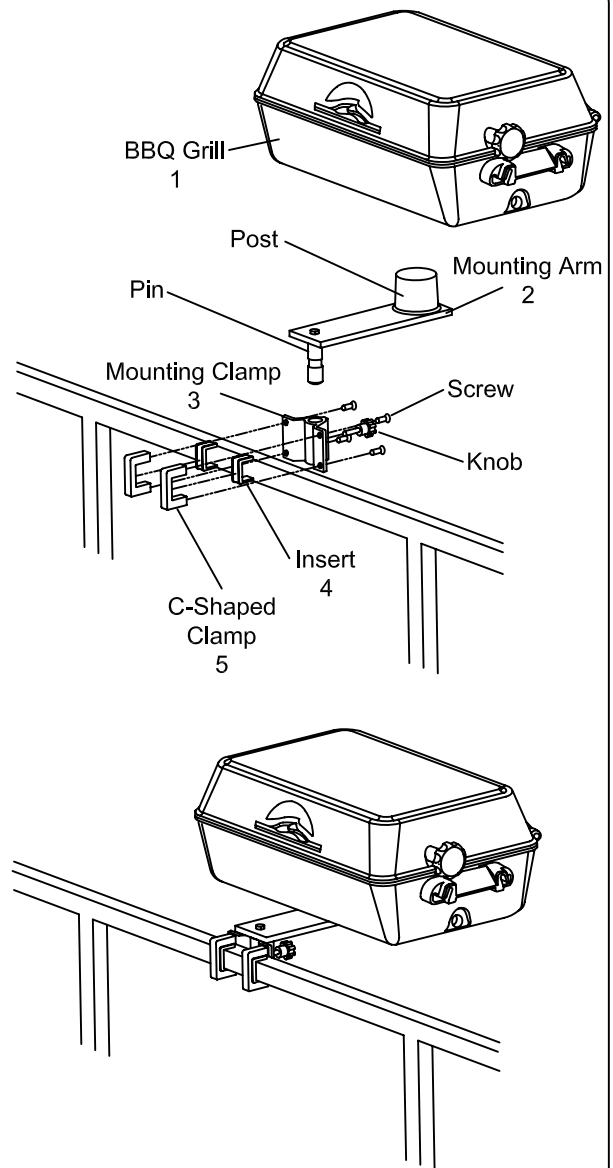
2. Choose the plastic insert (Item# 4) that best fits your rail. Install the Insert into the C-Shaped Clamp (Item# 5).

3. Then take the Mounting Clamp, one C-shaped clamp with the correct insert installed, and one of the screws you have just removed from the assembly and assemble it around the rail. Next insert the second screw, then repeat these steps with the other C-shaped clamp. Slide the Mounting Clamp to the location on your boat's railing that you prefer and tighten the screws.

4. Place the Mounting Arm (Item# 2) Pin in the Mounting Clamp and hand tighten the Knob on the Mounting Clamp.

5. Place your BBQ Grill (Item# 1) onto the Mounting Arm post using the cup in the bottom of your BBQ Grill.

6. If you have questions regarding the BBQ grill itself, please refer to the Assembly and Operating Instructions included with the Grill.



## WARNING!

DO NOT operate your grill while the boat is in motion.

Allow grill to cool before handling or removing from post or rail mount.

